

MACS High Bay

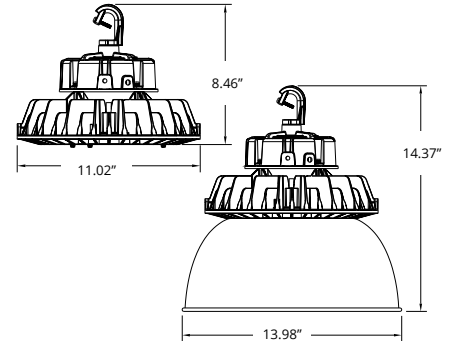
Big Shine's MACS High Bay LED fixture fills an important niche in the rapidly expanding market for high efficiency lighting. MACS is available in five different beam angles, including 60 x 90° for when an asymmetrical light distribution is needed. The world-class Nichia LED chips are available in either 4000 or 5000K CCT and deliver 140 lumens per Watt with an 80 CRI.

APPLICATIONS

Industrial, Commercial



DIMENSIONS



MODEL OPTIONS

Manufacturer	Fixture Type	Wattage	Voltage	Name	Driver	Chip	CCT	Beam Angle
BSL BIG SHINE LED	HB High Bay	150W	100-277V G-277-480V Optional	MAC	SO Sosen	NI Nichia	4000K, 5000K, 5700K	60°*, 90°*, 120°

* Indicated beam angles available w/reflective dome. IES files currently unavailable.

TECHNICAL SPECIFICATIONS

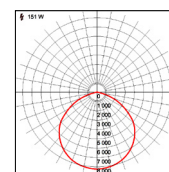
	150W
Lumens	21,000
Efficacy	140
CRI	80 (5000K)
Voltage Input	100-277V
Voltage Output	54V
Amperage	2.1
Hertz	50-60 Hz
THD	15.5%
Control Options	1-10V Optional (T)
Operating Temp.	-40°~122°F
IP Rating	IP65
IK Level	IK08
Weight	7.2 lb
Driver Life Warranty	50,000 hrs
L70 Results ¹	50,000 hrs

¹ LM80 and TM21 results are available upon request. Specifications are subject to change without notice.

FIELD & BEAM ANGLES

MODEL	Beam	Height vs. Illuminance (ft vs. lx)		
	Angle	9.8 ft	19.7 ft	29.5 ft
BSL-HB150-MAC-SONI-5000K-120	120	916.9	229.2	101.9

PHOTOMETRICS



150W-5000K-120°

MOUNTING OPTIONS

Eye Bolt

STANDARD COLOR OPTIONS



*Customized colors available upon RAL request. MOQ applies.

